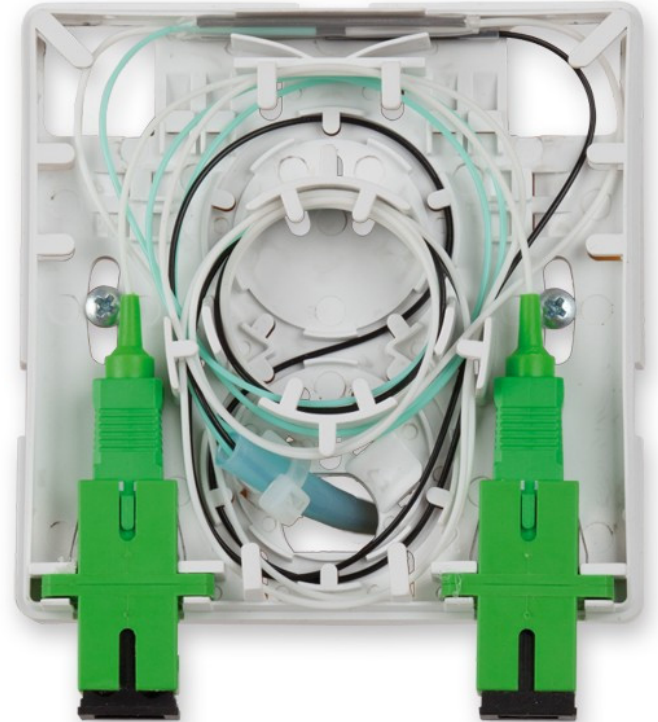




The Fiber Access Terminal Box ORM 1 is designed for termination of an optical network via 2–4 optical fibers in a customer terminal point. It can be connected to a PC, different peripheral equipment or to another equipment via optical patchcords. It is designed for indoor wall mounting.

- ▶ Capacity of 4 optical connectors
- ▶ Connector holder SC simplex or LC duplex
- ▶ Maximum capacity is 4 optical splices
- ▶ Attractive design for indoor usage
- ▶ Installing on a surface or flush-mounting box
- ▶ Simple optical management
- ▶ Direct fiber termination by a connector
- ▶ Standard socket dimensions
- ▶ Input possibility of fiber with connector
- ▶ Use for fibers G.657

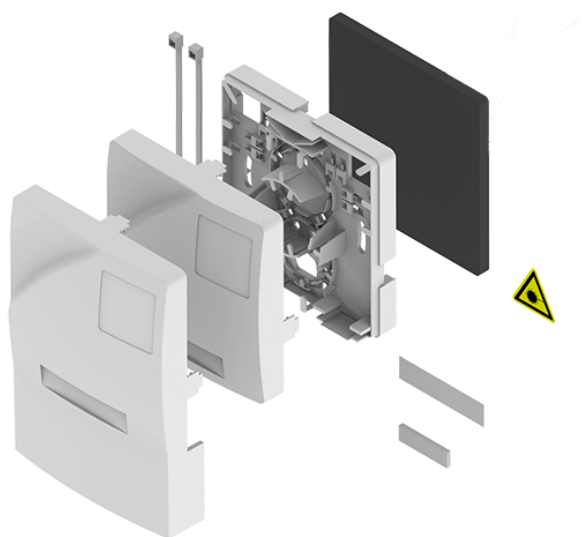
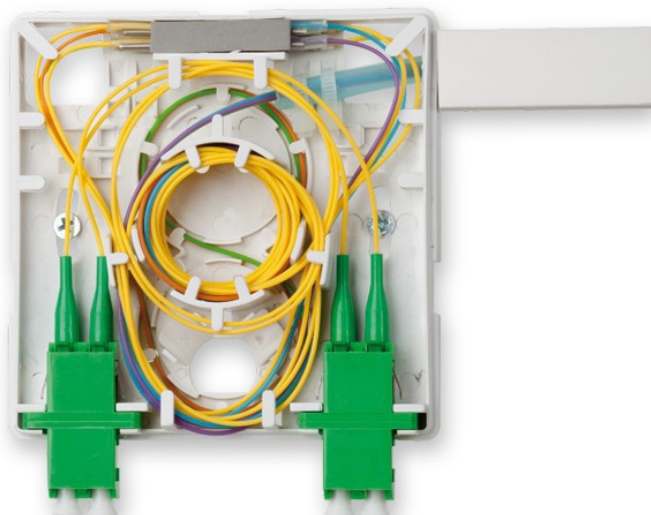


TECHNICAL SPECIFICATIONS

Ingress Protection	IP30 / IP54 (under special conditions)
Impact Protection	IK07
Flammability Degree	HB
Material	ABS
Color	white RAL 9003
Dimensions (H × W × D)	116 × 81 × 25 mm / extended cover 81 × 81 × 25 mm / short cover
Weight	0.08 kg

ORDERING CODES

85H4.00/0000F	ORM 1 (including a short and extended cover)
491797	Sealing for ORM 1 (IP 54)
491870	Laser Radiation Attention Sticker
491802	White Sticker (for description)
491816	Rubber Sealing (for a splice fixation)



More information: <https://www.micostelcom.com/en/fiber-access-terminal-boxes/fiber-access-termina-l-box-orm-1>

MICOS
TELCOM s.r.o.

+420 582 307 511
+420 582 307 688

telcom@micostelcom.cz
www.micostelcom.com